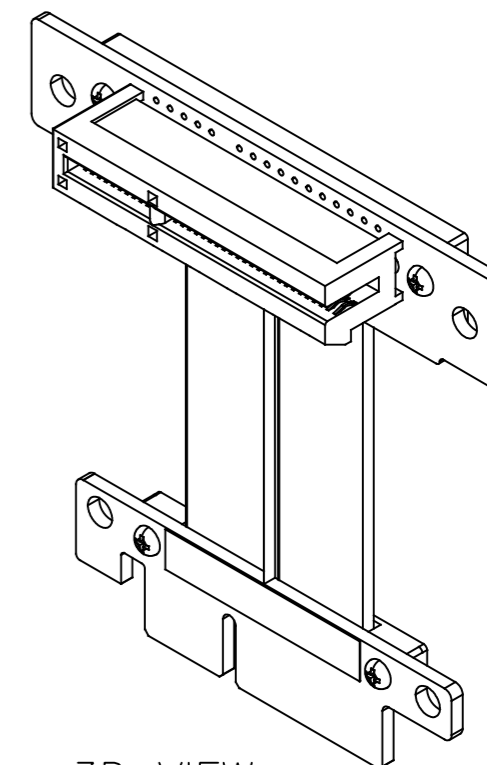
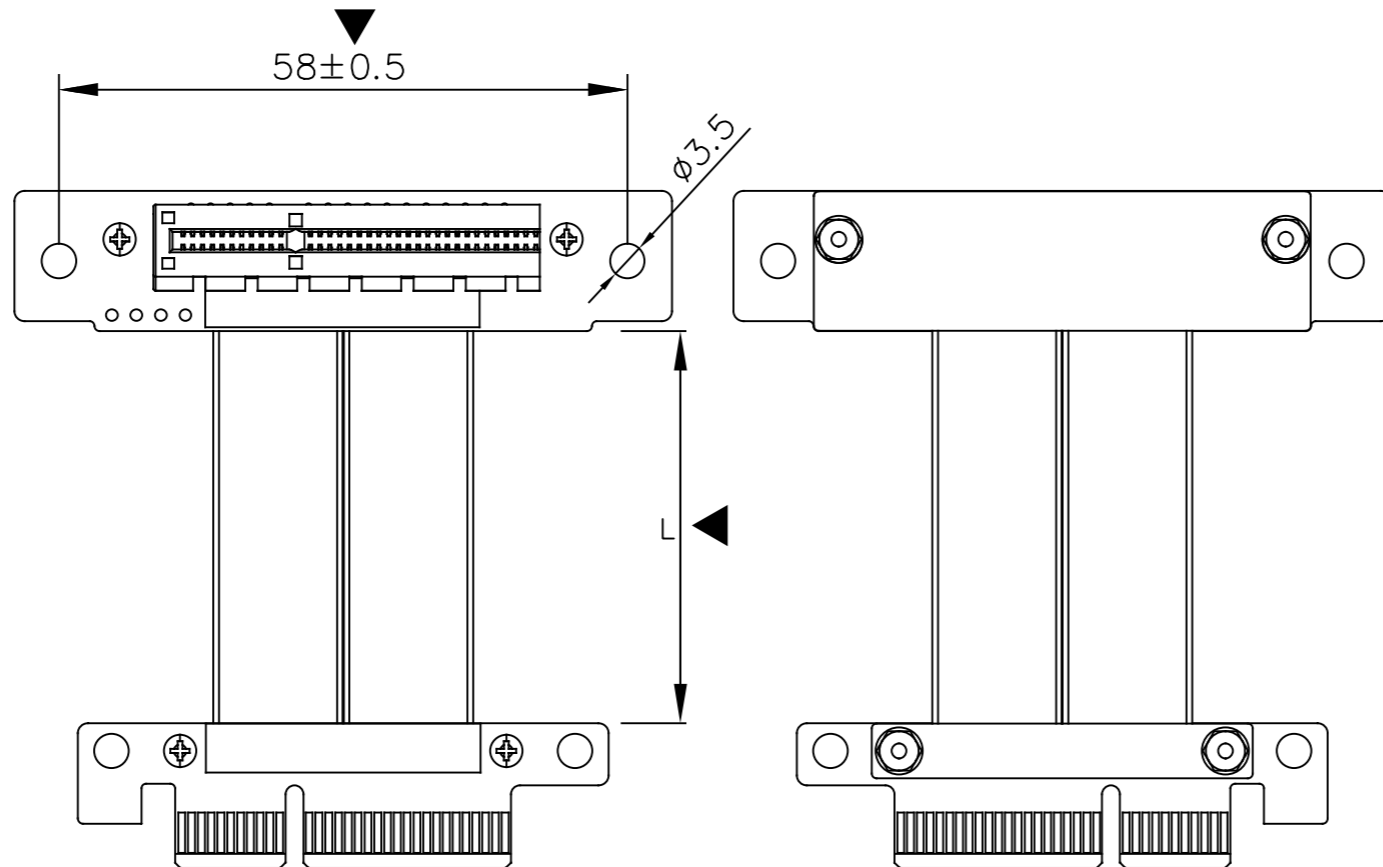
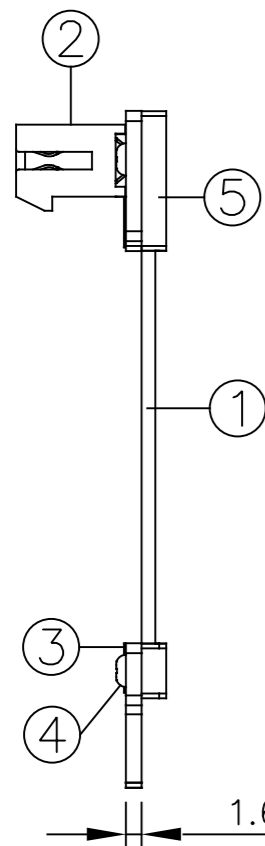


MATERIAL MUST BE ACCORD WITH RoHS STANDARD

版本 REV.	变更内容 DESCRIPTION	变更号 ECN No.	日期 DATE
1.0	ISSUE	REL	2020-01-07



3D VIEW

TOP VIEW

BOTTOM VIEW

NOTE
 1.100% PCIe 3.0x4 32Gb/s TEST.
 2.DIMSION MARK "▼" BY QC CHECK.



R22SR-3cm	30±5
R22SR-5cm	50±5
R22SR-10cm	100±5
R22SR-15cm	150±5
R22SR-20cm	200±10
R22SR-25cm	250±10
R22SR-30cm	300±20
R22SR-40cm	400±20
R22SR-50cm	500±20
R22SR-80cm	800±30
Part-Number	Length (mm)

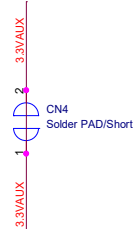
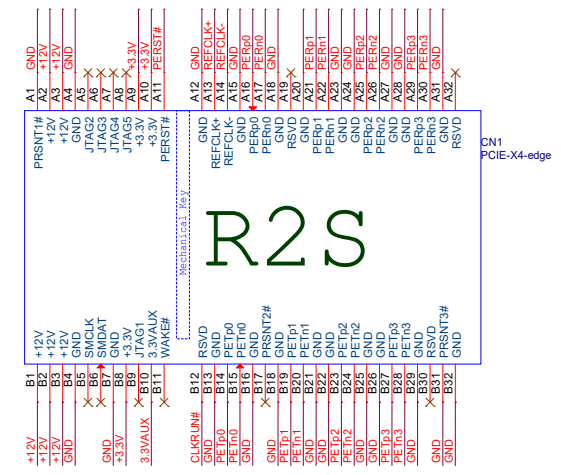
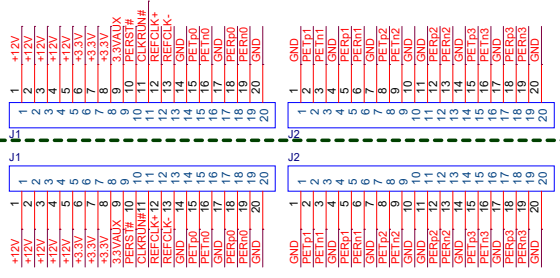
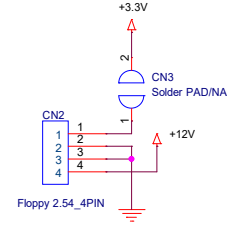
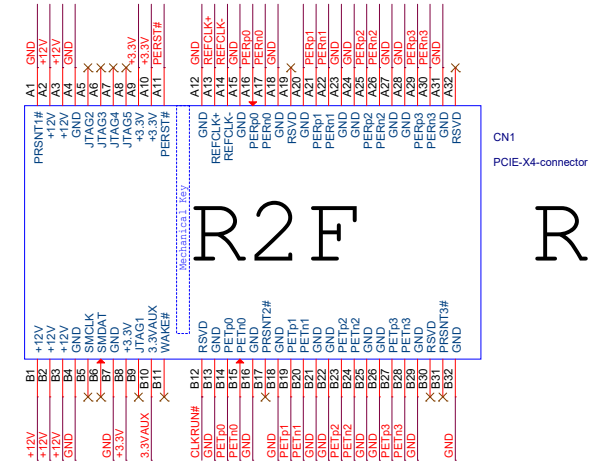
ADT-LINK

TITLE: PCI-E x4 Extension CABLE L=3~80cm		DWG NO.: ADT-R2S-R2R-001	
		CUSTOMER NO.: ADT	
		CUSTOMER P/N: R22SR-xxxcm	
	SCALE NONE	UNIT mm	CUS REV. 1.0
			HY REV. 1.0
			DATE 2020-01-07
			SHEET 1/1
DRAWING/制图		CHECKED/审核	
		APPROVED/核准	

No.	PART NO.	DESCRIPTION	Q'TY
5	PAD	3mm thickness FR4 PCB PAD	2Pcs
4	Screw	M2 screw & hex nut	4Pcs
3	Tape	Acetate cloth tape	1Pcs
2	Connector	PCI-E x4 64P Open Type Connetor	2Pcs
1	CABLE	HIGH SPEED FLAT CABLE,(WIRE20P=30AWG×12P,28AWG×8P),PE JACKET: BLACK,OD=1.4×13.2mm (95±15Ω),TPE	2Pcs
No.	PART NO.	DESCRIPTION	Q'TY

Revision History

Date	Version	Description
20161203	1.0	First Release
20181203	2.0	Add 3.3VAUX
20190603	2.1	Add CLKRUN#



WWW.ADT.LINK

Title	PCI Express 4x Extender	
Size	Document Number	Rev
A3	R22 series	
Date:	Tuesday, January 07, 2020	Sheet 1 of 1